

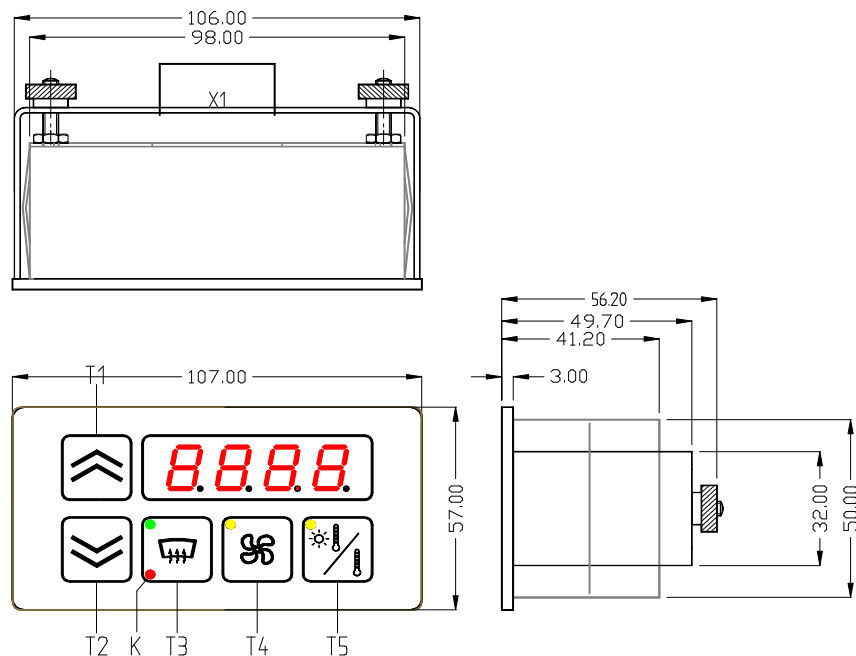
Product overview control panels

KR-323 universal minicontroller

The KR-323 is a free programmable, microprocessor based minicontroller with plastic foil keyboard and 4-digit 7-segment display. The controller is usable in various applications.

Nominal voltage:	24V DC
Voltage range:	20 to 30V DC
Inputs:	3 digital inputs for night light, ignition on, motor on 1 digital input for feedback of climate clutch 3 analog inputs for temperature sensors 1 analog input for feedback of motor valve
Outputs:	1 control voltage for blower modul 1 output voltage for motor valve or 2 solenoid valves 1 output for relay climate clutch 1 output for relay to enable convector or blower
Interface:	RS 232, CAN- Bus optional
Current consumption:	ca. 40 mA at 24 V, without load
Operation temperature:	-20°C to +80°C
Storage temperature:	-30°C to +90°C
Connector:	ITT Cannon Trident, 24 pole
Mounting:	Clamping bracket with 2 knurled screws M4

Drawing:



Subject to technical modifications!

Sept. 2011

BADER
INDUSTRIE-ELEKTRONIK
www.badergmbh.de

Elektroniksysteme für Fahrzeugtechnik und Industrieautomation
D- 71691 Freiberg, Siemensstr.21
Tel: 07141/ 6 88 77 – 0 Fax: 07141/ 68877-22

Page: 1 of: 2
controlpanels.sd
w

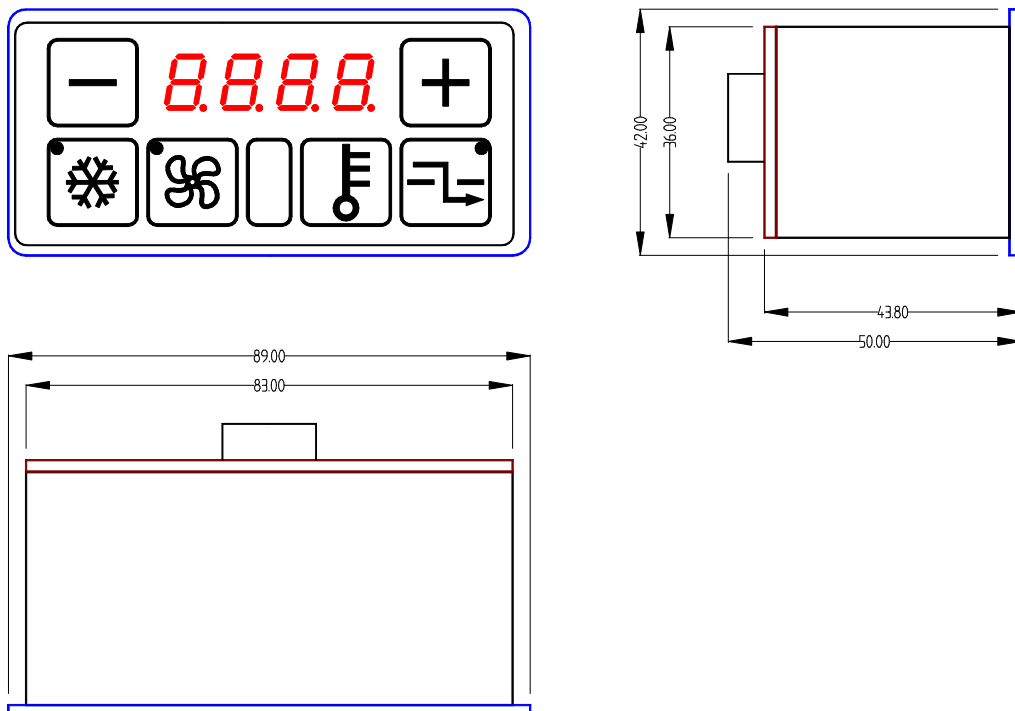
Product overview control panels

BT-415 control panel

The BT-415 is a programmable control panel with plastic foil keyboard and a 4-digit 7-segment display. The control panel is designed for serve our control units. The data exchange takes place with a RS 232 interface.

Nominal voltage:	12V DC/ 24V DC
Voltage range:	12 to 30V DC
Inputs:	1 input 12V/24V for night light
Interface:	RS232 for connection to control unit
Current consumption:	ca. 30mA at 24V
Operation temperature:	-20°C to +85°C
Storage temperature:	-30°C to +90°C
Connector:	ITT-Trident-female connector, 6-pole
Mounting:	2 clamping bracket,

Drawing:



Subject to technical modifications!

Sept. 2011

BADER
INDUSTRIE-ELEKTRONIK
www.badergmbh.de

Elektroniksysteme für Fahrzeugtechnik und Industrieautomation
D- 71691 Freiberg, Siemensstr.21
Tel: 07141/ 6 88 77 – 0 Fax: 07141/ 68877-22

Page: 2 of: 2
controlpanels.sdw